



Semester: 2015 I

Course: EEET-221

Section No: 2

Quiz No: 1

Students ID: _____

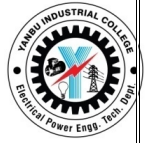
Student Name: _____

Date: 13-09-2015

Time: 15 min

Maximum Marks: 10

Marks: _____



1. List any *five* Electrical Control System Components.

(2.5 Marks)

a.

b.

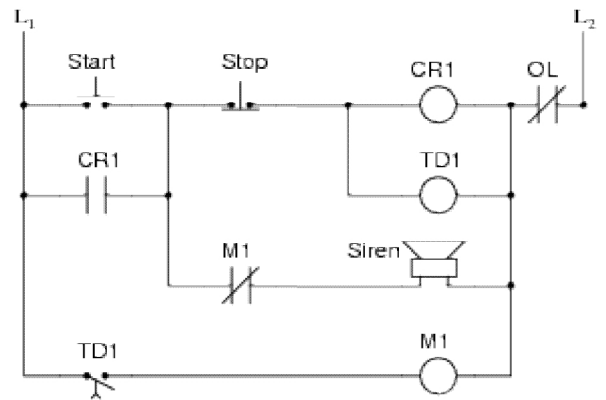
c.

d.

e.

2. Explain working of the given control circuit.

(5.0 Marks)



3. What the following abbreviations stands for:

(2.5 Marks)

Abbreviation	Device	Abbreviation	Device
CB		DS	
LS		WRIM	
CR			